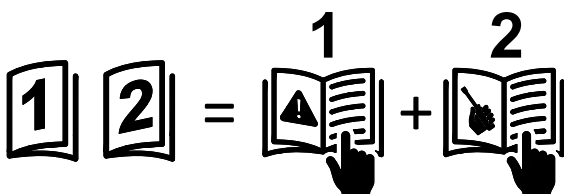
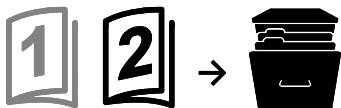
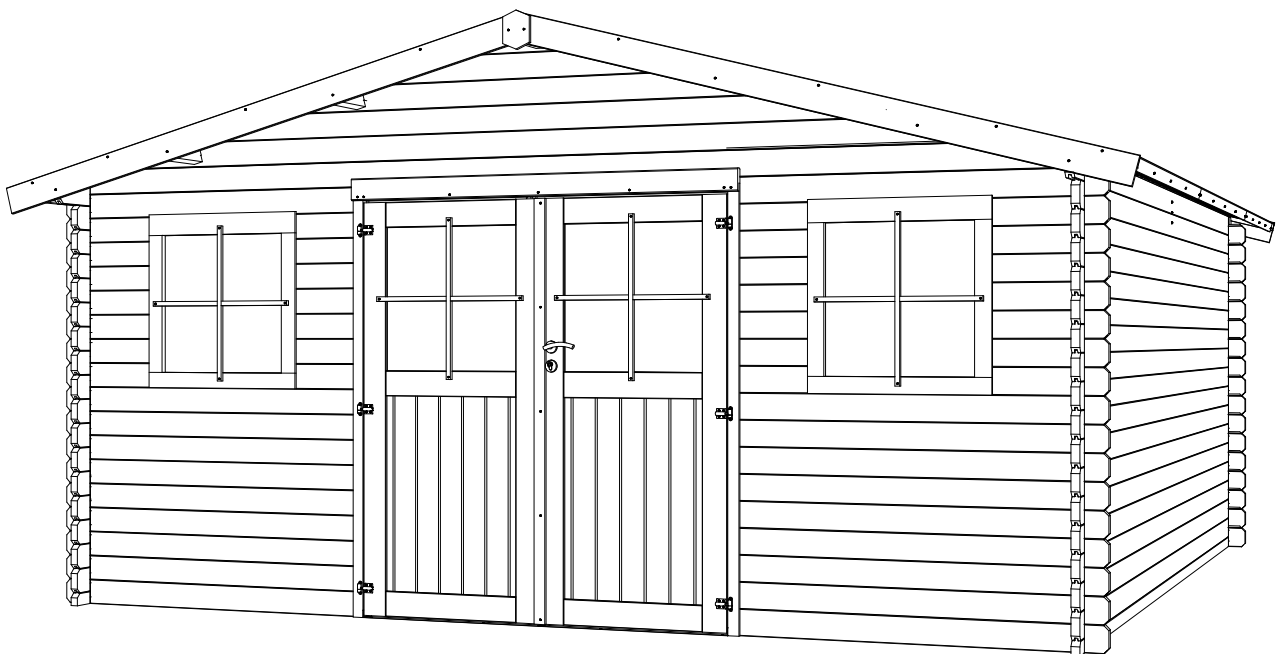


Abri 34mm 4,80×4,80m F2/DPV

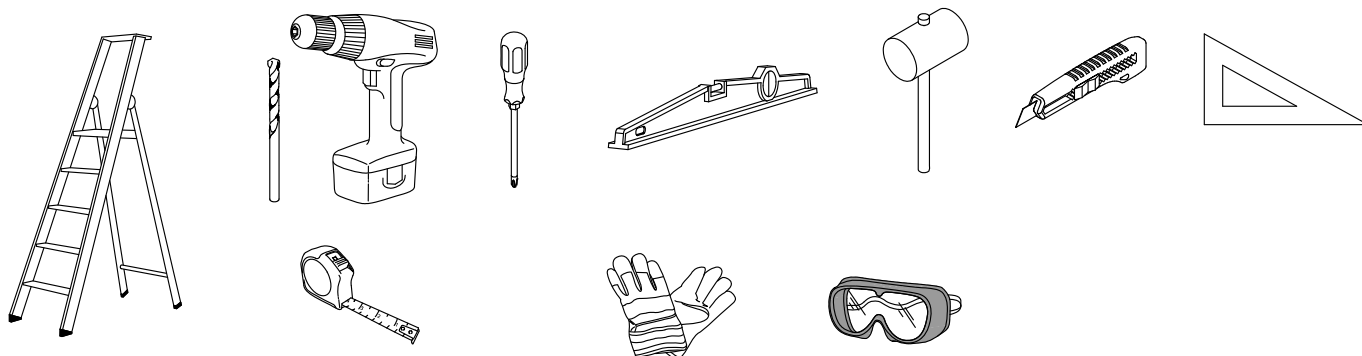
75785S947 - B-001896



- (EN) **Assembly notice - keep for later reference.**
 (FR) **Notice de montage à conserver pour consultations ultérieures.**
 (NL) **Te bewaren gebruiksaanwijzingen voor latere raadplegingen.**
 (DE) **Montageleitung nicht wegwerfen, bewahren Sie diese für später.**
 (IT) **Manuale di montaggio da conservare per ulteriori consultazioni.**
 (ES) **Debe conservar las instrucciones de montaje para consultas posteriores.**
 (PT) **Instruções de montagem a guardar para consultas futuras.**



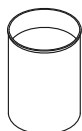
- (EN) **Tools needed to provide before assembly.**
 (FR) **Outillage nécessaire à prévoir avant le montage.**
 (NL) **Te voorziene gereedschappen bij aanvang van de montage.**
 (DE) **Für die Montage notwendiges Werkzeug vorsehen.**
 (IT) **Utensili necessari da prevedere prima del montaggio.**
 (ES) **Preparar herramientas necesarias antes del montaje.**
 (PT) **Prepare as ferramentas necessárias antes da montagem.**



- (EN) **Significant complements not included.**
 (FR) **Compléments importants non inclus.**
 (NL) **Belangrijke aanvullingen niet inbegrepen.**
 (DE) **Wichtige Zubehörteile nicht im Lieferumfang**
 (IT) **Supplementi importanti non inclusi.**
 (ES) **Complementos importantes no incluidos.**
 (PT) **Complementos importantes não incluídos.**

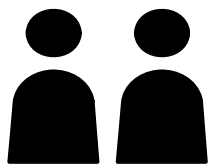
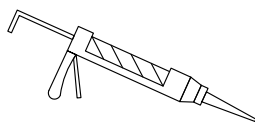


- [EN] *Glue for the roof.*
 [FR] *Colle pour le feutre bitumeux.*
 [NL] *Lijm voor het dak.*
 [DE] *Klebstoff für das Dach.*
 [IT] *Colla per tela buttumata.*
 [ES] *Pegamento para tela asfáltica.*
 [PT] *Cola para tecido asfáltico.*



- [EN] *Wood preserver for the outside : 2 layers before assembly.*
 [FR] *Protection pour le bois en extérieur : 2 couches avant montage.*
 [NL] *Bescherming van het hout: 2 lagen voor de montage.*
 [DE] *Holzschutz für Aussenanwendung: 2 Lagen vor dem Zusammenbau.*
 [IT] *Protezione per il legno in esterno : due mani prima del montaggio.*
 [ES] *Protección para la madera de exteriores: 2 manos antes del montaje.*
 [PT] *Proteção para madeira exterior: 2 demãos antes da montagem.*

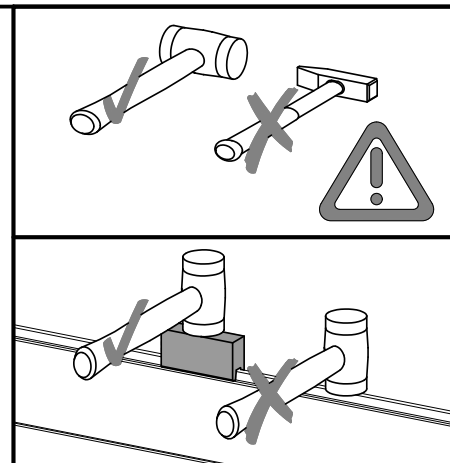
Silicone / Mastic



- [EN] **2 persons**
 [FR] **2 personnes**
 [NL] **2 personen**
 [DE] **2 Personen**
 [IT] **2 persone**
 [ES] **2 personas**
 [PT] **2 pessoas**

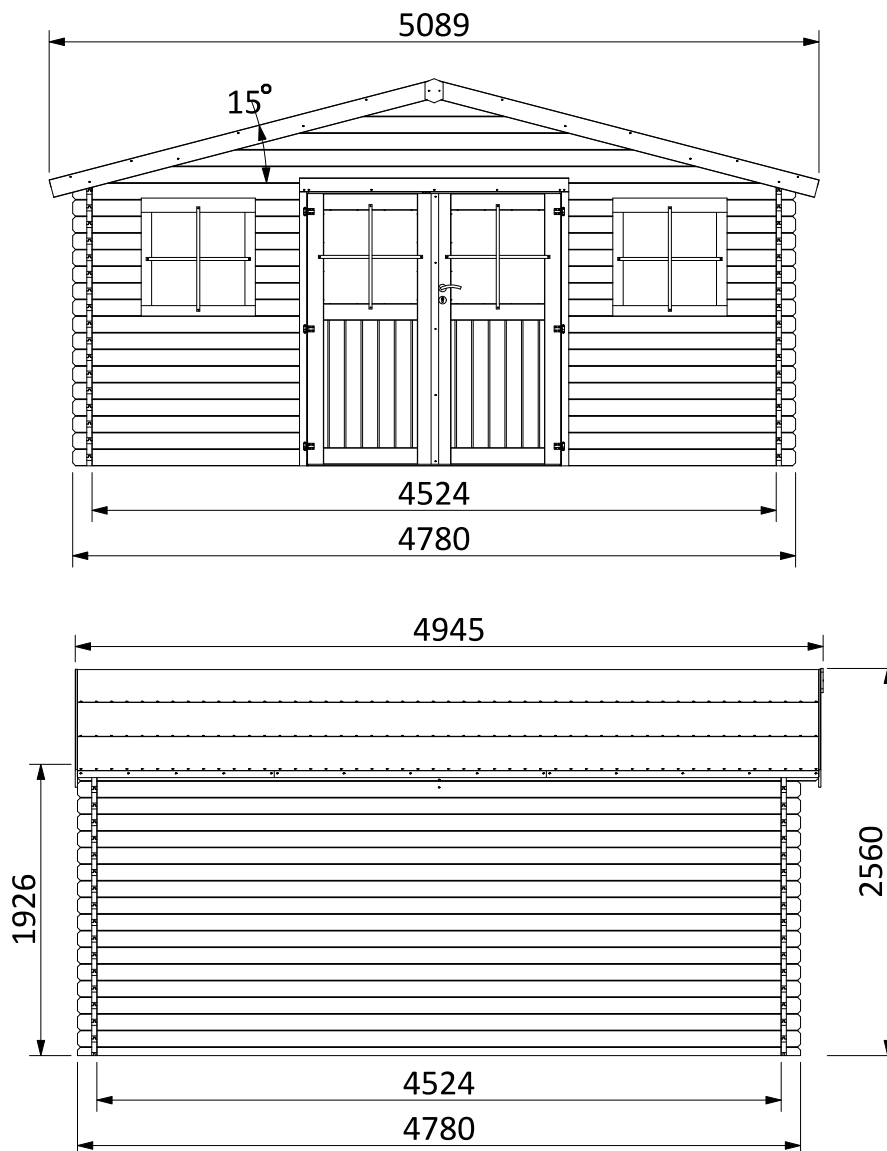


- [EN] **Predrill**
 [FR] **Préforer**
 [NL] **Voorboren**
 [DE] **Vorbohren**
 [IT] **Preforare**
 [ES] **Preforar previamente**
 [PT] **Perfuração**

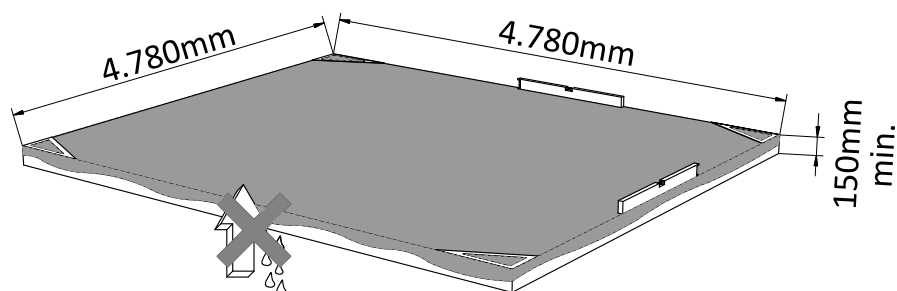


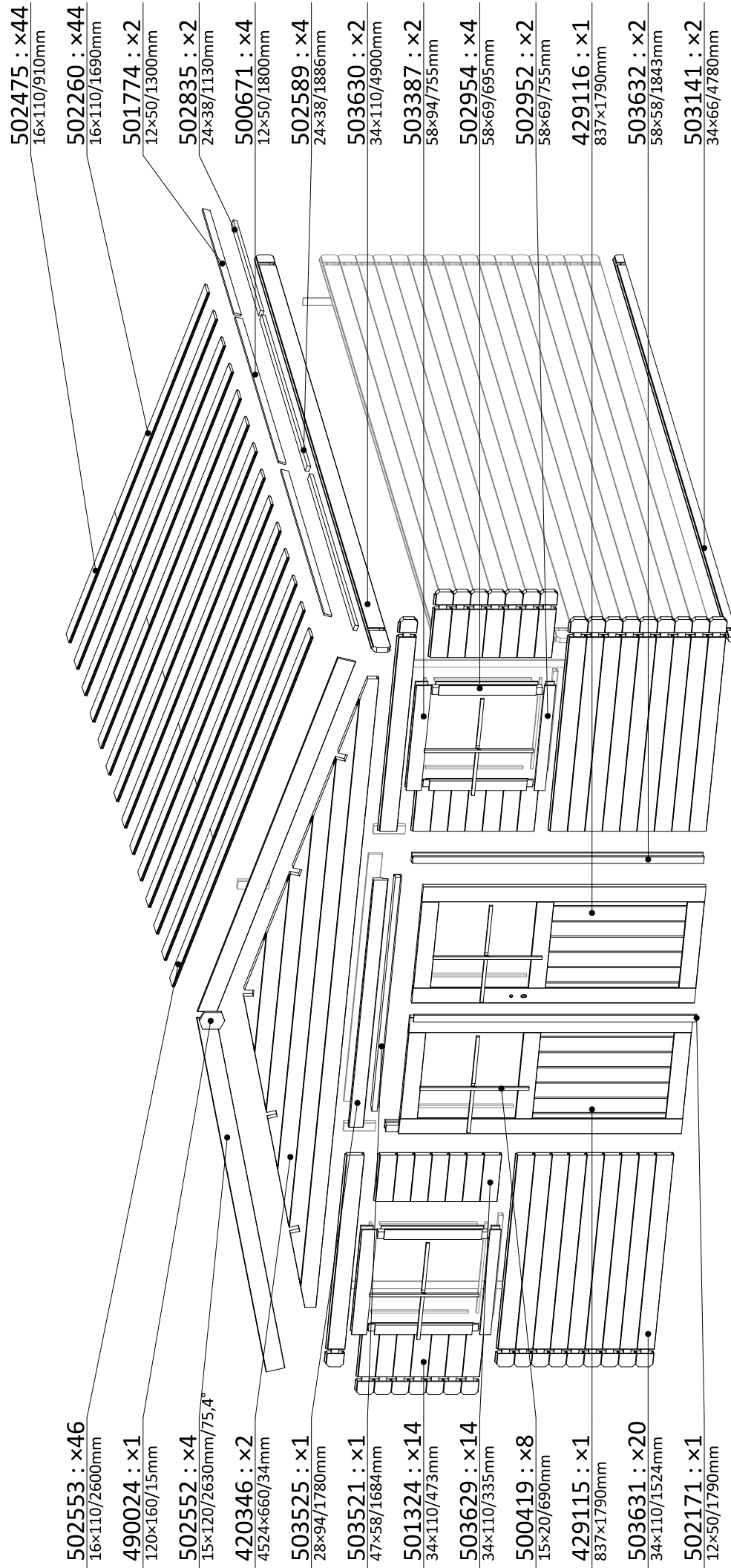
Abri 34mm 4,80×4,80m F2/DPV

75785S947 - B-001896



- (EN) Laying on a perfectly flat and level concrete slab (*not included*)
- (FR) Pose sur dalle béton parfaitement plate et de niveau (*non incluse*)
- (NL) Plaatsen op een perfect vlakke betontegel (*niet inbegrepen*)
- (DE) Montage auf einer ebenen, befestigten Fläche (*Material nicht inbegriffen*)
- (IT) Posare su pavimenti in cemento perfettamente in piano e livellato (*non incluso*)
- (ES) Colocar sobre losa de hormigón perfectamente plana y nivelada (*non incluida*)
- (PT) Montagem sobre laje de betão perfectamente plana e nivelada (*não incluído*)





502475 : x44
16x110/910mm

502260 : x44
16x110/1690mm

501774 : x2
12x50/1300mm

502835 : x2
24x38/1130mm

500671 : x4
12x50/1800mm

502589 : x4
24x38/1886mm

503630 : x2
34x110/4900mm

503387 : x2
58x94/755mm

502954 : x4
58x69/695mm

502952 : x2
58x69/755mm

429116 : x1
837x1790mm

503632 : x2
58x58/1843mm

503141 : x2
34x66/4780mm

502553 : x46
16x110/2600mm

490024 : x1
120x160/15mm

502552 : x4
15x120/2630mm/75,4°

420346 : x2
4524x660/34mm

503525 : x1
28x94/1780mm

503521 : x1
47x58/1684mm

501324 : x14
34x110/473mm

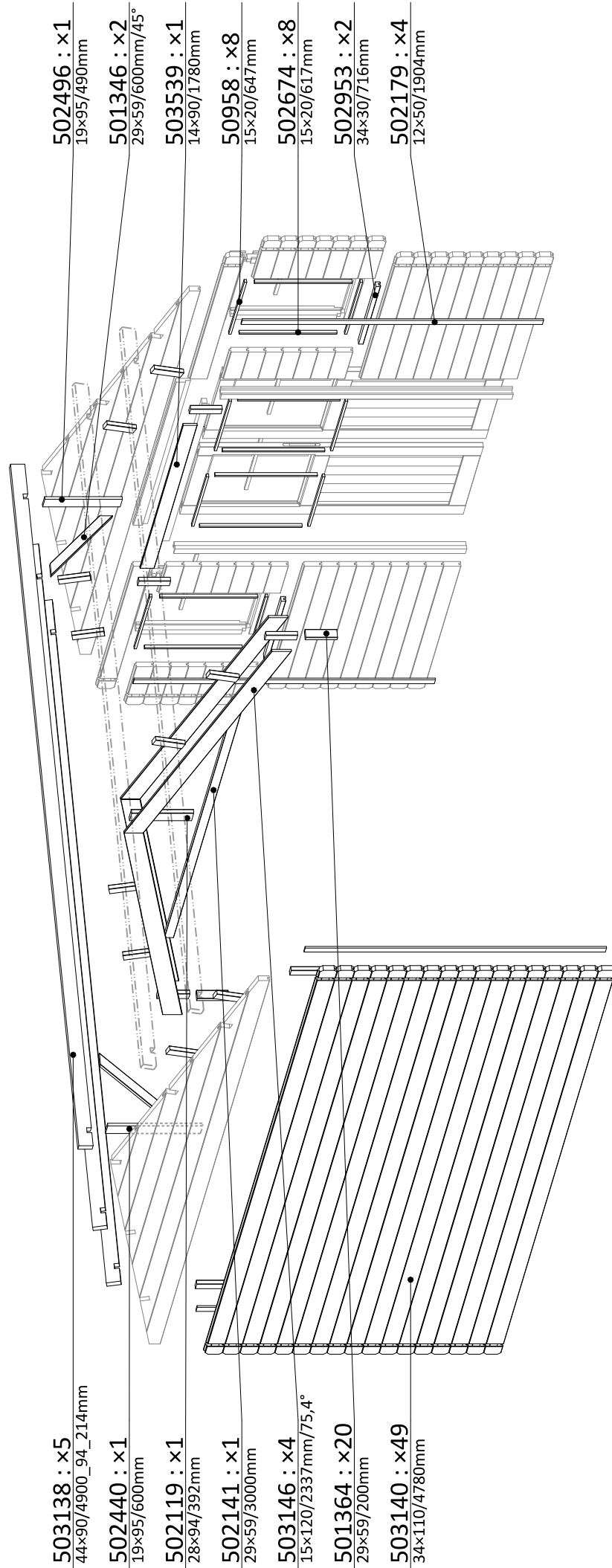
503629 : x14
34x110/335mm

500419 : x8
15x20/690mm

429115 : x1
837x1790mm

503631 : x20
34x110/1524mm

502171 : x1
12x50/1790mm



503138 : x5

44x90/4900_94_214mm

502440 : x1

19x95/600mm

502119 : x1

28x94/392mm

502141 : x1

29x59/3000mm

503146 : x4

15x120/2337mm/75,4°

501364 : x20

29x59/200mm

503140 : x49

34x110/4780mm

502496 : x1

19x95/490mm

501346 : x2

29x59/600mm/45°

503539 : x1

14x90/1780mm

50958 : x8

15x20/647mm

502674 : x8

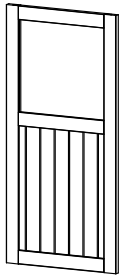
15x20/617mm

502953 : x2

34x30/716mm

502179 : x4

12x50/1904mm



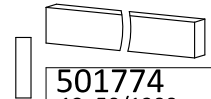
429115 ← : 1
837×1790mm
429116 → : 1
837×1790mm



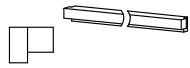
490024 : 1
120×160/15mm



420346 : 2
4524×660/34mm



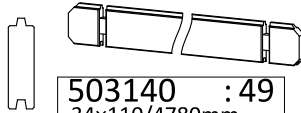
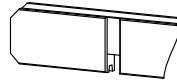
501774 : 2
12×50/1300mm
502171 : 1
12×50/1790mm
500671 : 4
12×50/1800mm
502179 : 4
12×50/1904mm
503539 : 1
14×90/1780mm
502674 : 8
15×20/617mm
50958 : 8
15×20/647mm
502496 : 1
19×95/490mm
502440 : 1
19×95/600mm
502835 : 2
24×38/1130mm
502589 : 4
24×38/1886mm
502119 : 1
28×94/392mm
501364 : 20
29×59/200mm
502141 : 1
29×59/3000mm



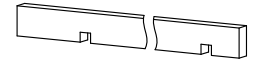
503521 : 1
47×58/1684mm



503630 : 2
34×110/4900mm



503140 : 49
34×110/4780mm



503138 : 5
44×90/4900 94 214mm



503525 : 1
28×94/1780mm



503632 : 2
58×58/1843mm



503629 : 14
34×110/335mm



502552 : 4
15×120/2630mm/75,4°



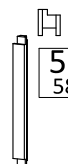
503387 : × 2
58 × 94 / 755mm
502952 : × 2
58 × 69 / 755mm



503631 : 20
34×110/1524mm
501324 : 14
34×110/473mm



503146 : 4
15×120/2337mm/75,4°



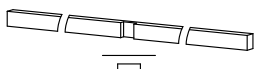
502954 : 4
58×69/695mm



503141 : 2
34×66/4780mm



501346 : 2
29×59/600mm/45°



500419 : 8
15×20/690mm

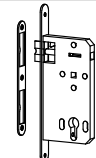
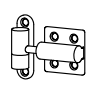
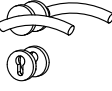
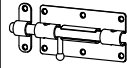



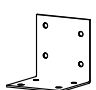
502953 : 2
34×30/716mm

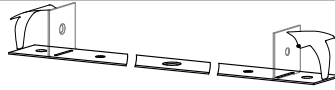


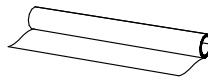
502260 : 44
16×110/1690mm
502553 : 46
16×110/2600mm
502475 : 44
16×110/910mm

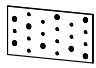
Kit 700347			
	3011	∅3,5×20mm	5
	3012	∅3,5×25mm	85
	3013	∅3,5×30mm	12
	3014	∅3,5×35mm	42
	3023	∅4×40mm	118
	3025	∅4×50mm	20
	3027	∅4×60mm	112
	3029	∅4×70mm	8
	3045	∅5×80mm	10
	3505	∅1×25mm	64
	3540	∅2×60mm	808
	2915	∅4mm	1
	Kit 700044		
	3810	∅2×15mm	393


Kit 700188					
	2115	1		2081	6
	2456	1		2155	2
	2150	1			

Kit 700210			
	2382	40×40mm	2

			
2273	1.684mm	1	

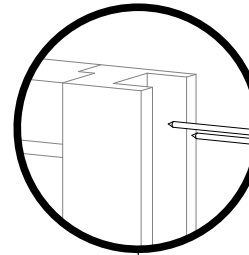
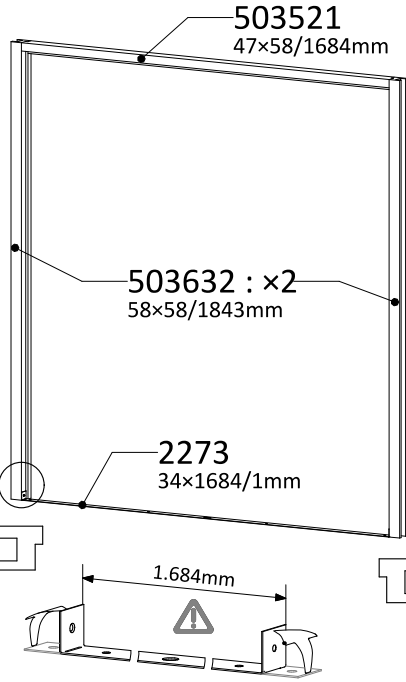
			
800053	1,5mm	1,00×10,00m	3

			
2252	75×150mm	4	

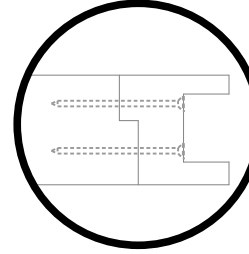
Plexy			
	750007	645×645/1,5mm	4

1

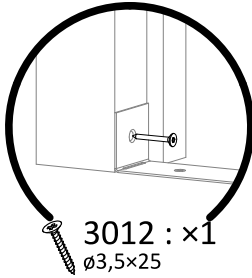
A=



3029 : x2
ø4x70mm



x2



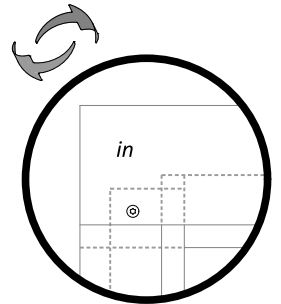
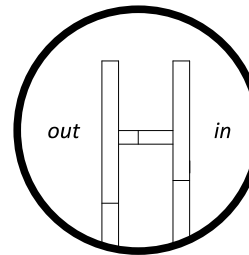
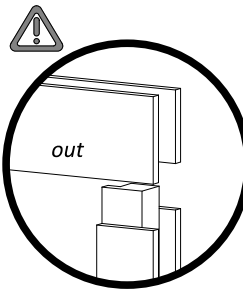
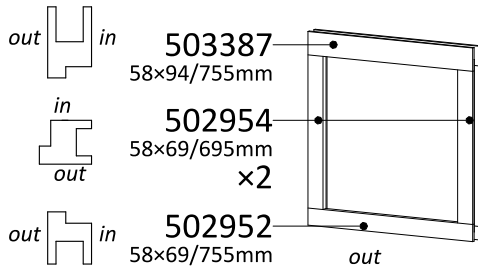
3012 : x1
ø3,5x25

x2

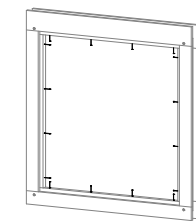
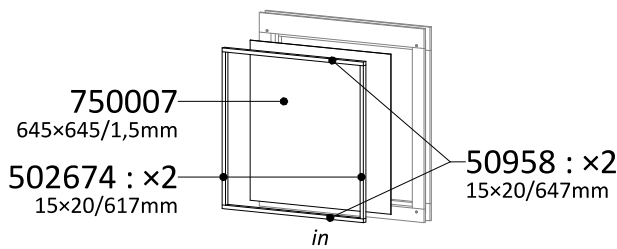
2

B=

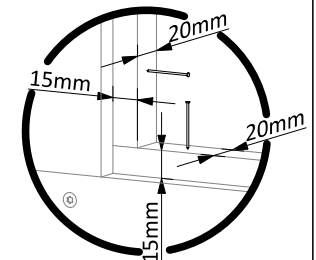
x2



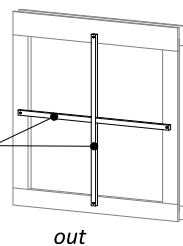
3023 : x1
ø4x40 x4



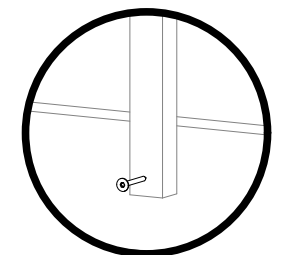
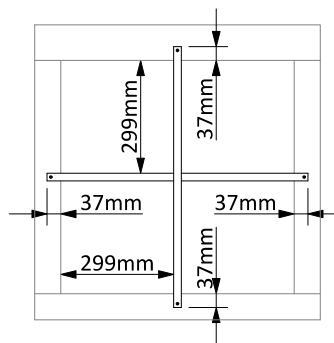
3505 : x16
25mm



500419 : x2
15x20/690mm



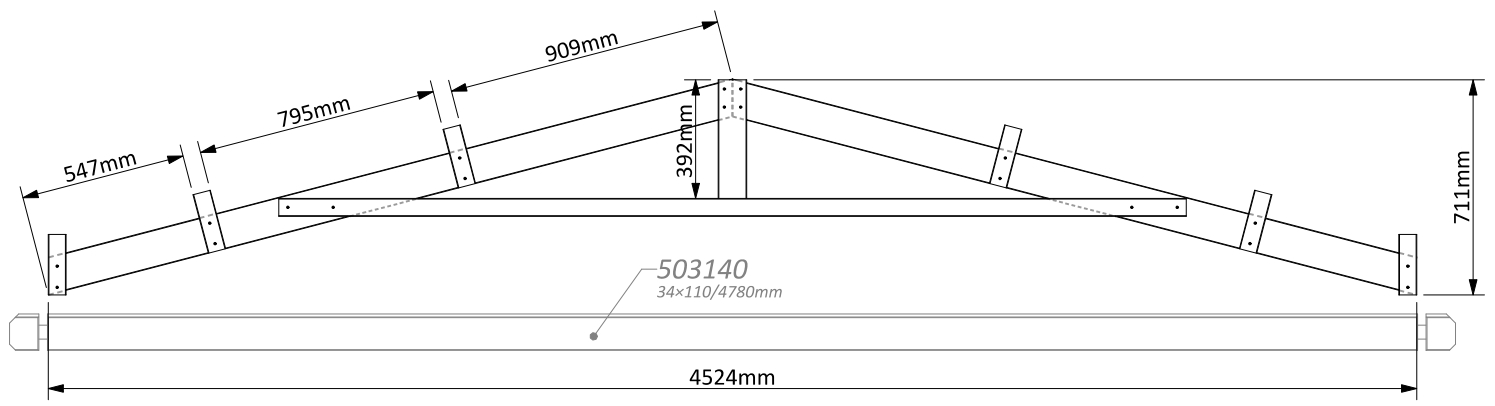
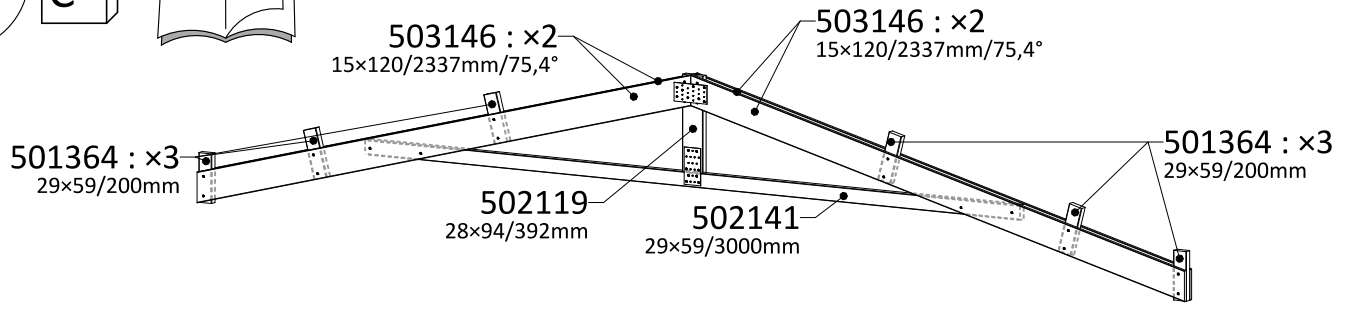
out



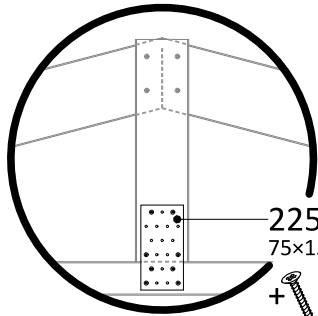
3012 : x1
ø3,5x25 x4

3

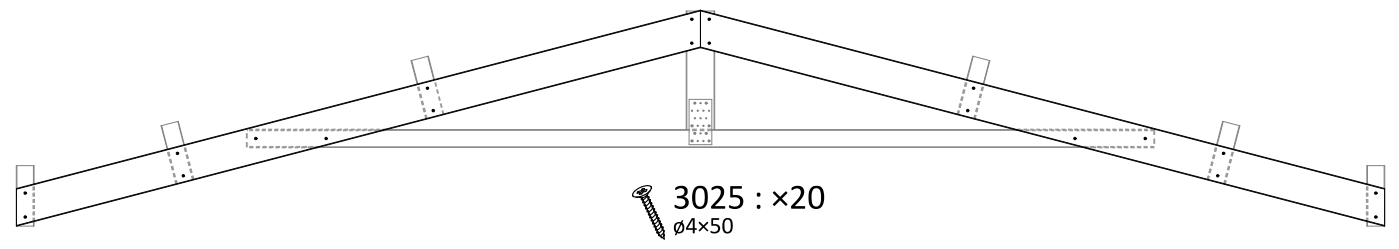
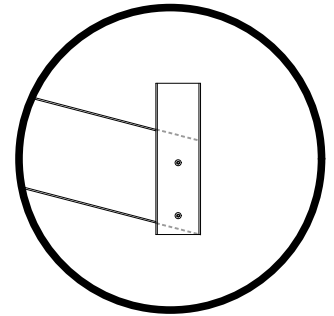
C=



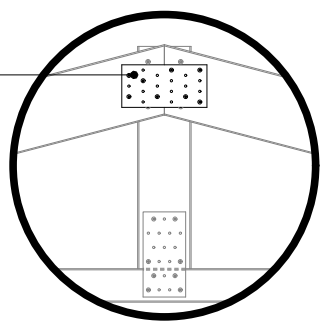
3023 : ×20
ø4×40



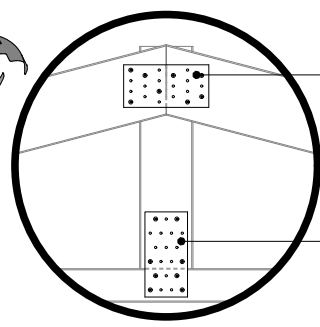
+ 3012 : ×8
ø3,5×25



2252
75×150/2mm
+ 3012 : ×8
ø3,5×25



2252 +
75×150/2mm
+ 3012 : ×8
ø3,5×25



2252 +
75×150/2mm
+ 3012 : ×8
ø3,5×25

4

503140
34x110/4780mm

503141
34x66/4780mm

503631
34x110/1524mm

503140
34x110/4780mm

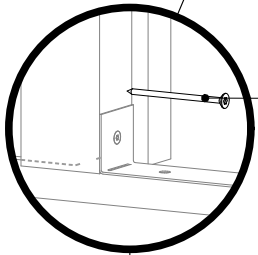
503140
34x110/4780mm

503141
34x66/4780mm

503631
34x110/1524mm

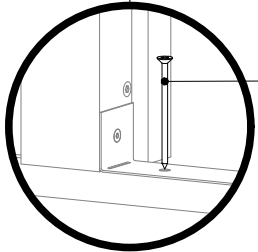
A

in
out



3027
ø4x60mm

x2

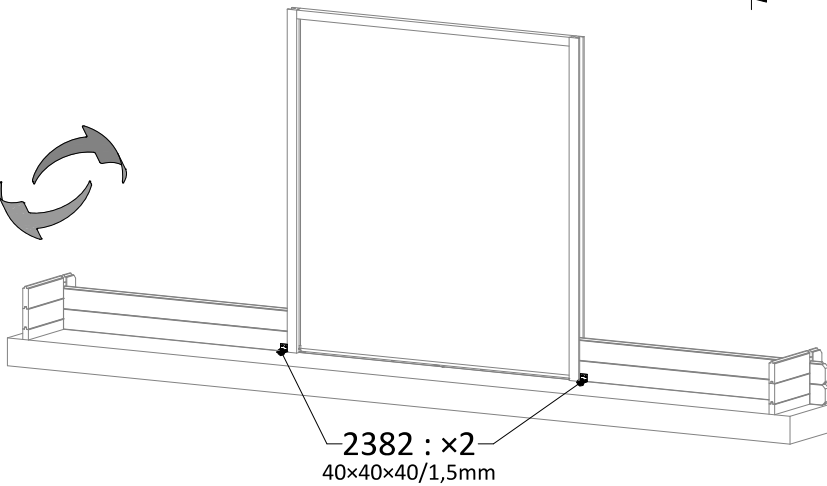
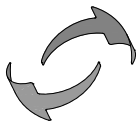
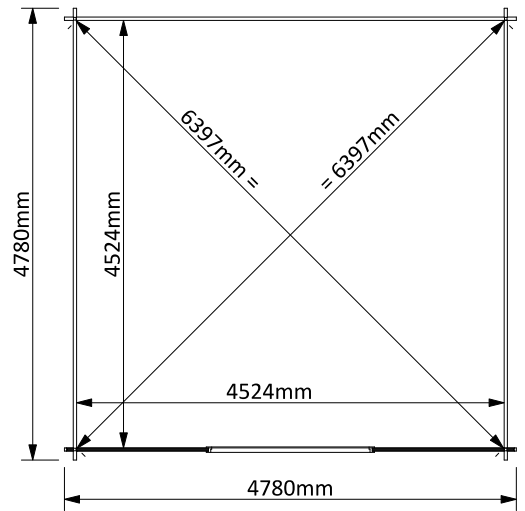


3027 +
ø4x60mm

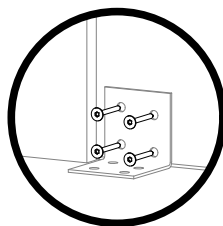
x4



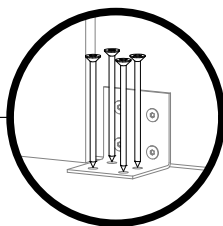
[EN] not included
[FR] non incluse
[NL] niet inbegrepen
[DE] nicht einbegriffen
[IT] non incluso
[ES] non incluida
[PT] não incluído
[GR] Δεν περιλαμβάνονται



2382 : x2
40x40x40/1,5mm



3012 : x4
ø3,5x25



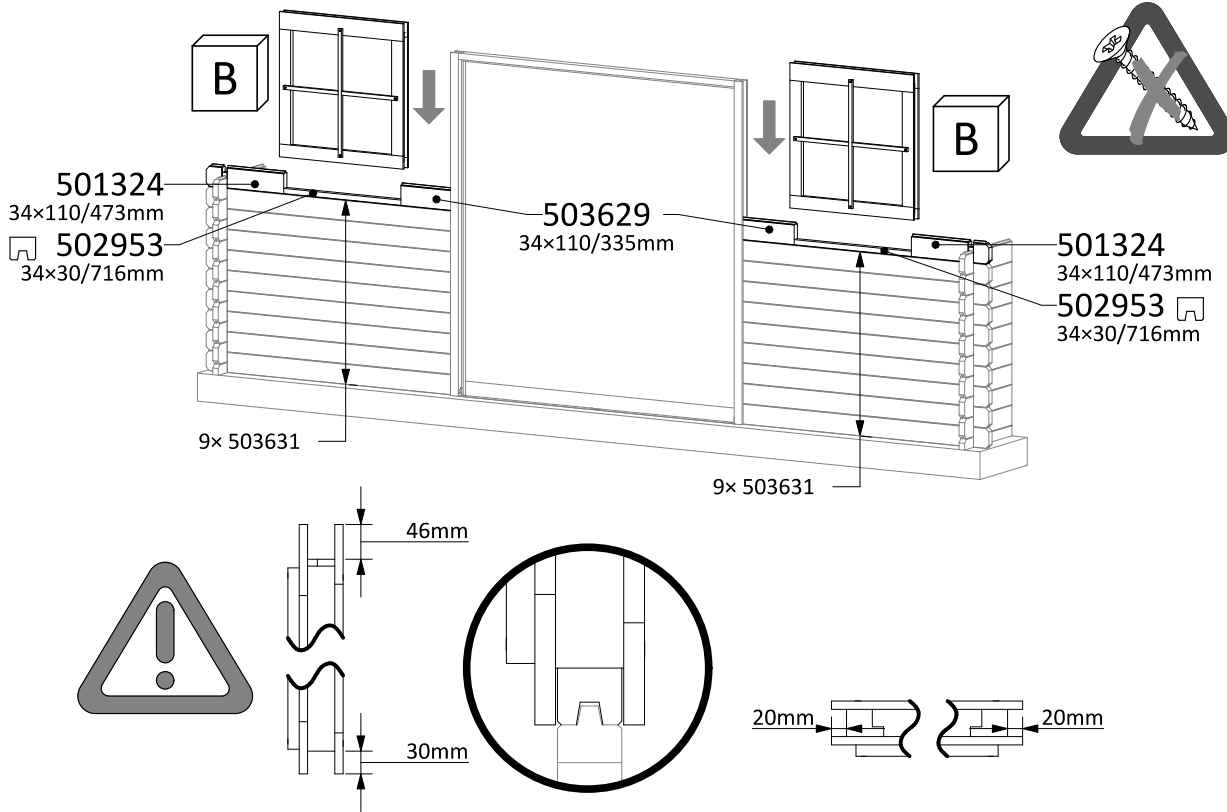
3027 : x4
ø4x60

x2

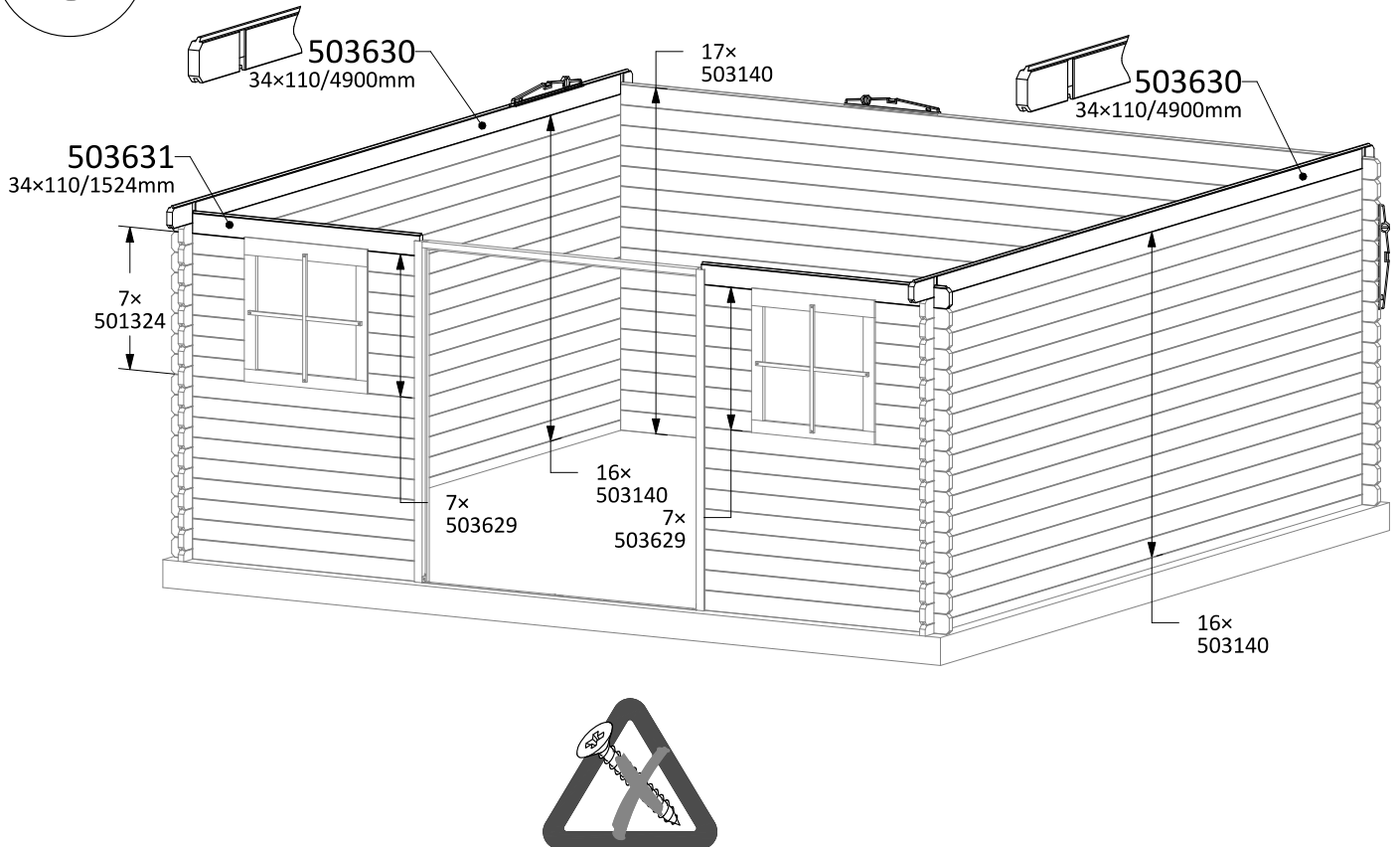


[EN] not included
[FR] non incluse
[NL] niet inbegrepen
[DE] nicht einbegriffen
[IT] non incluso
[ES] non incluida
[PT] não incluído
[GR] Δεν περιλαμβάνονται

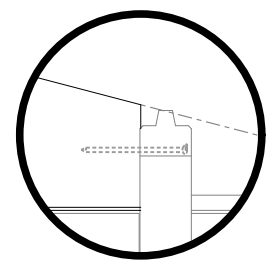
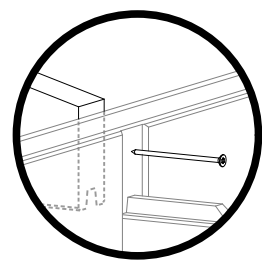
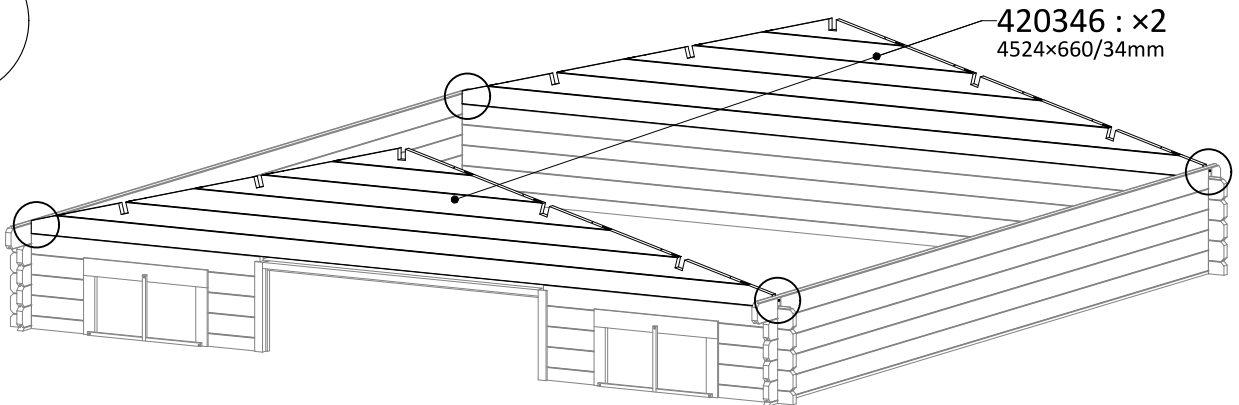
5



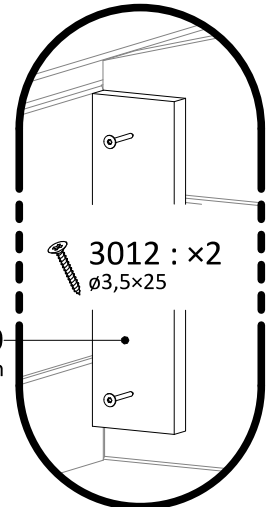
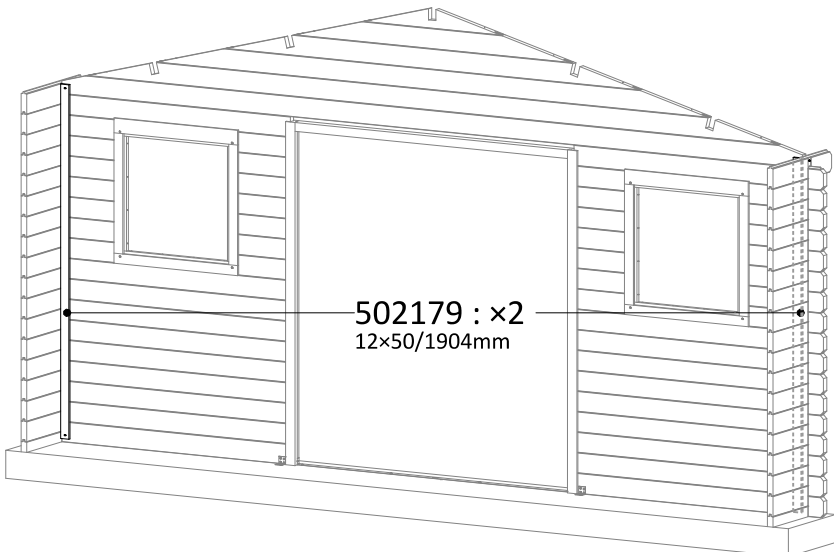
6



8



3029 : ×1
Ø4x70
×4

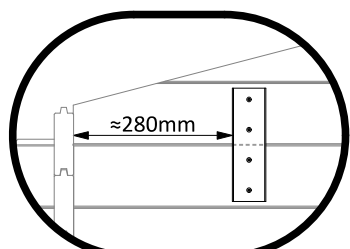
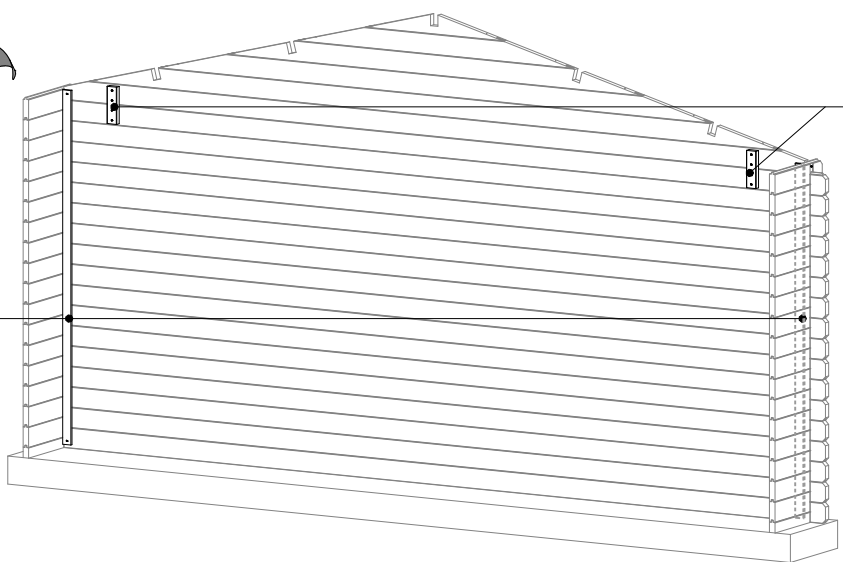


502179
12x50/1904mm

×4



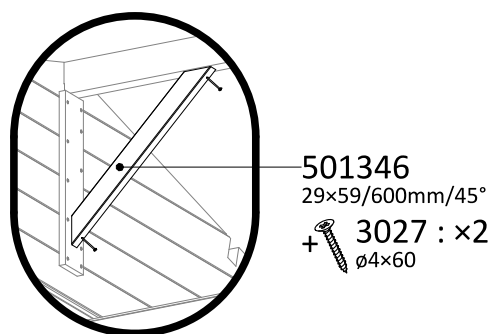
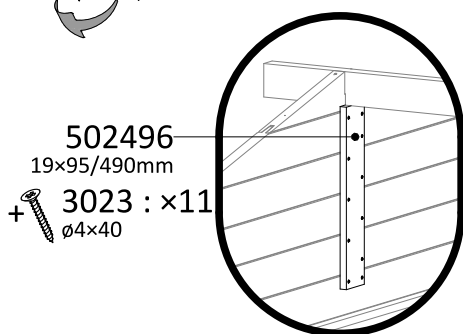
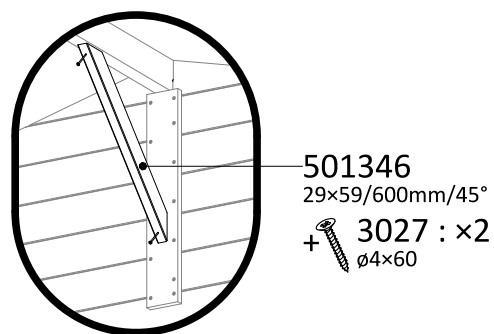
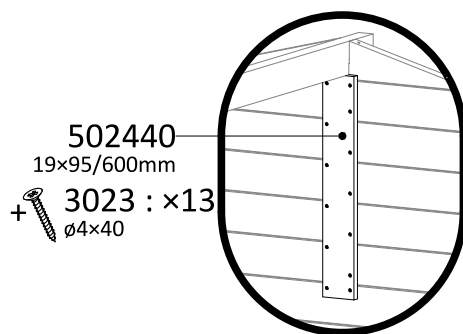
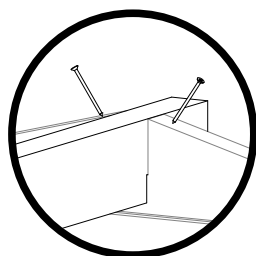
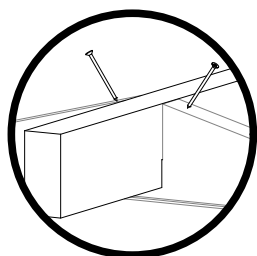
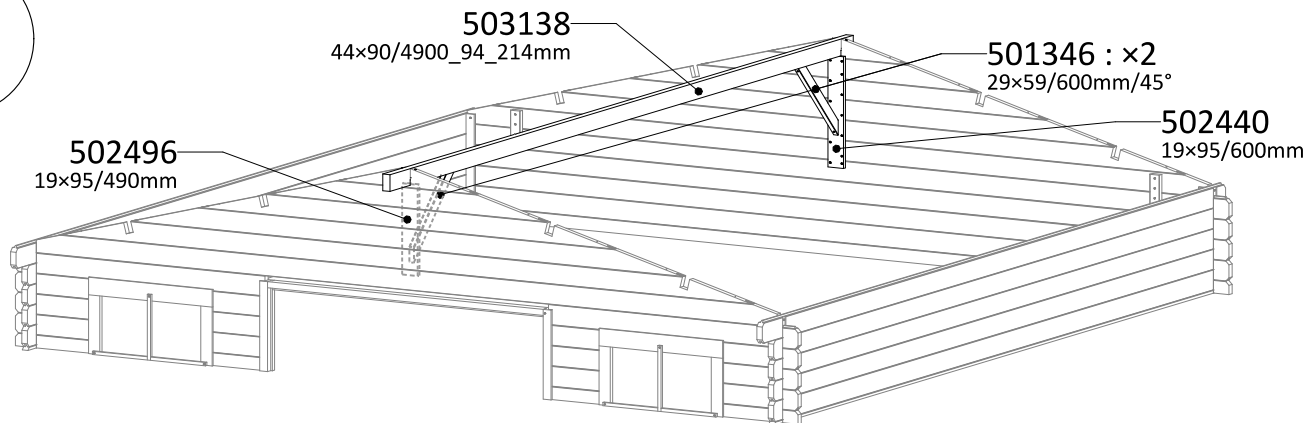
502179 : ×2
12x50/1904mm



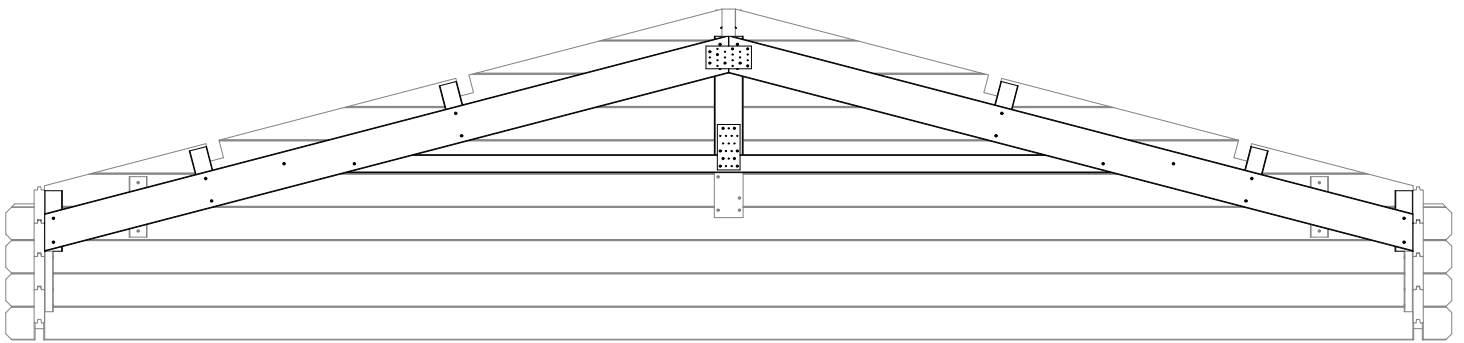
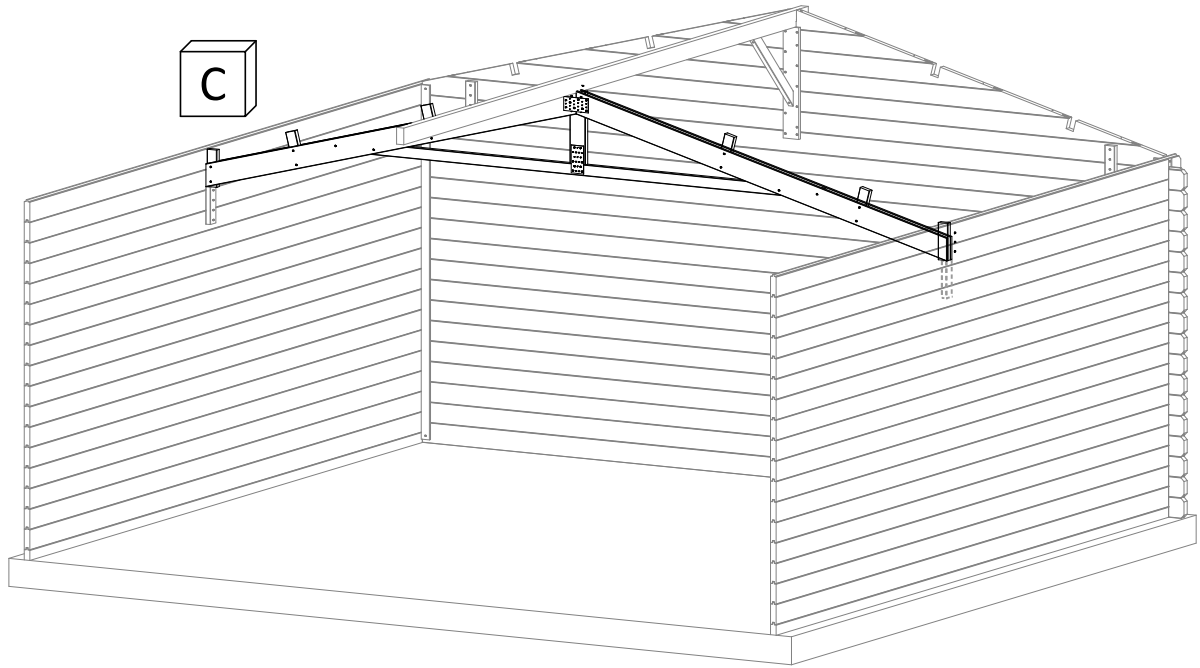
3027 : ×4
Ø4x60


×2

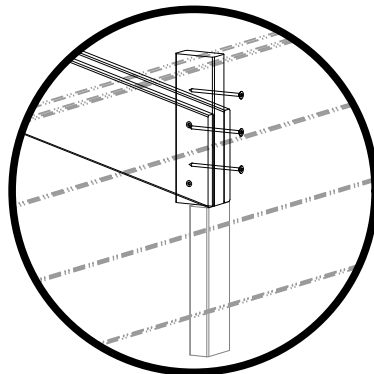
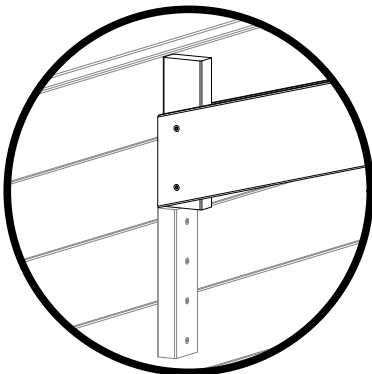
9




10

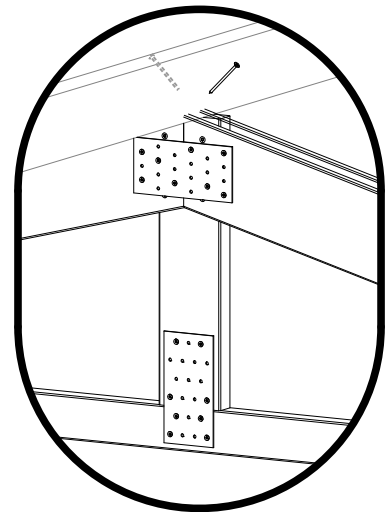


 **3027 : x2**
ø4x60

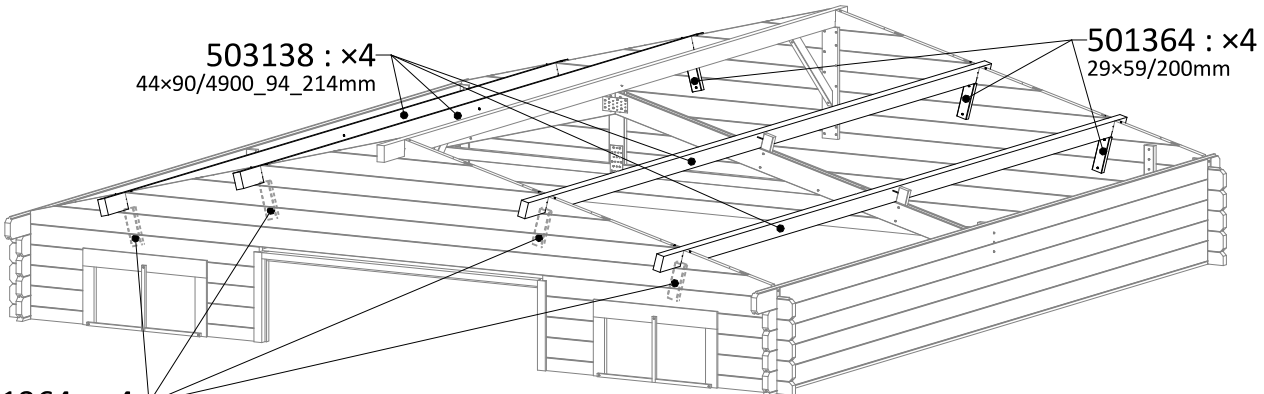


 **3045 : x3**
ø5x80

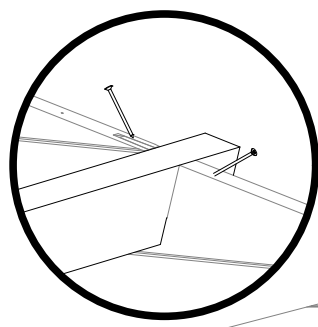
x2



11

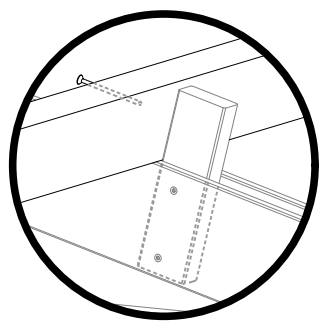


501364 : x4
29x59/200mm



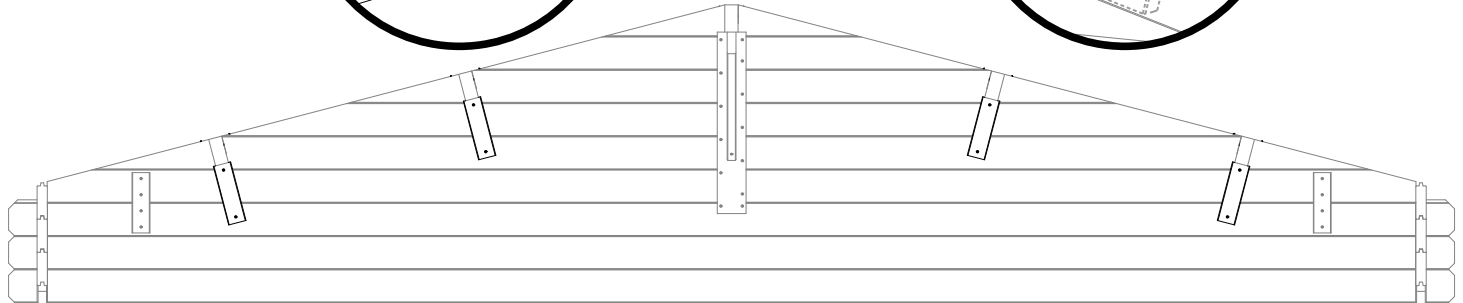
3027 : x2
ø4x60

x8



3045 : x1
ø5x80

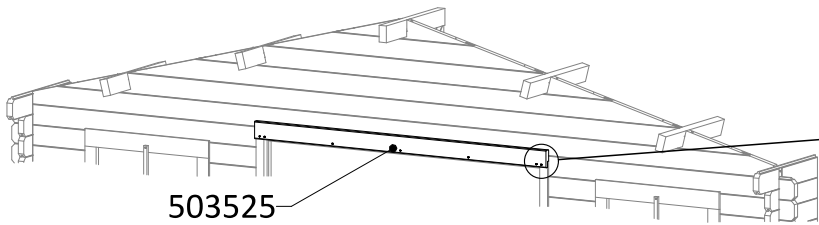
x4



3027 : x2
ø4x60

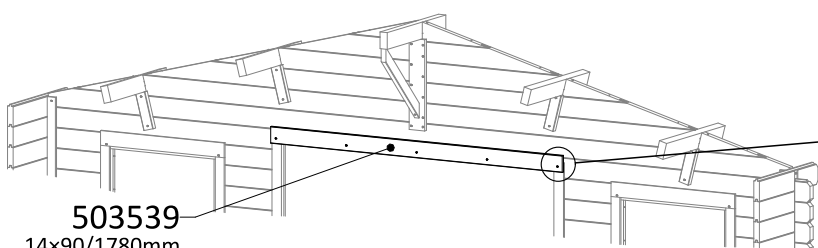
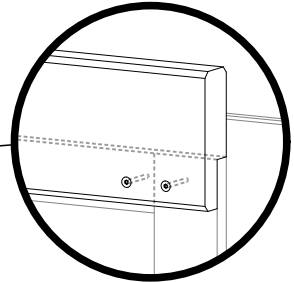
x4 x2

12



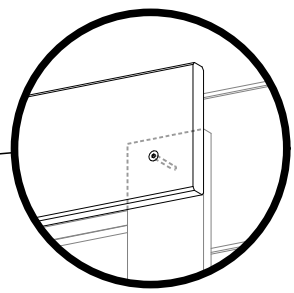
503525
28x94/1780mm

+ 3013 : x7
ø3,5x30



503539
14x90/1780mm

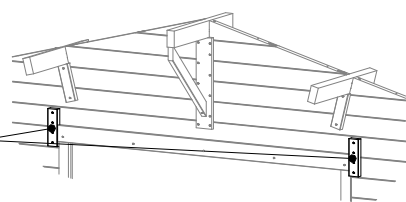
+ 3013 : x5
ø3,5x30



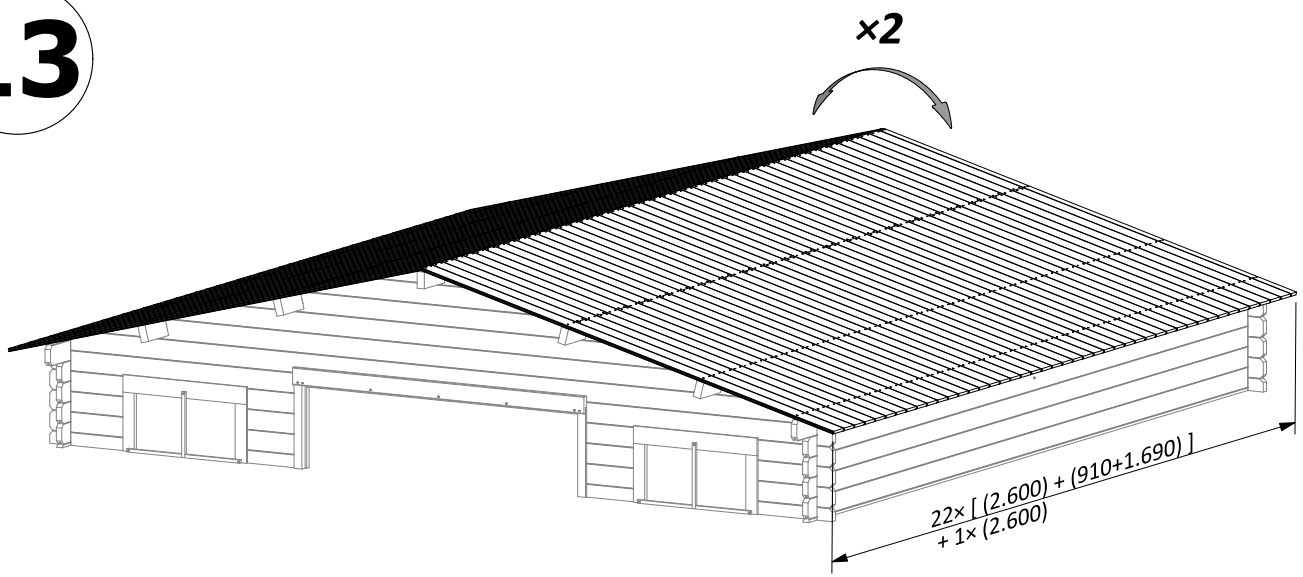
501364
29x59/200mm


+ 3027 : x4
ø4x60

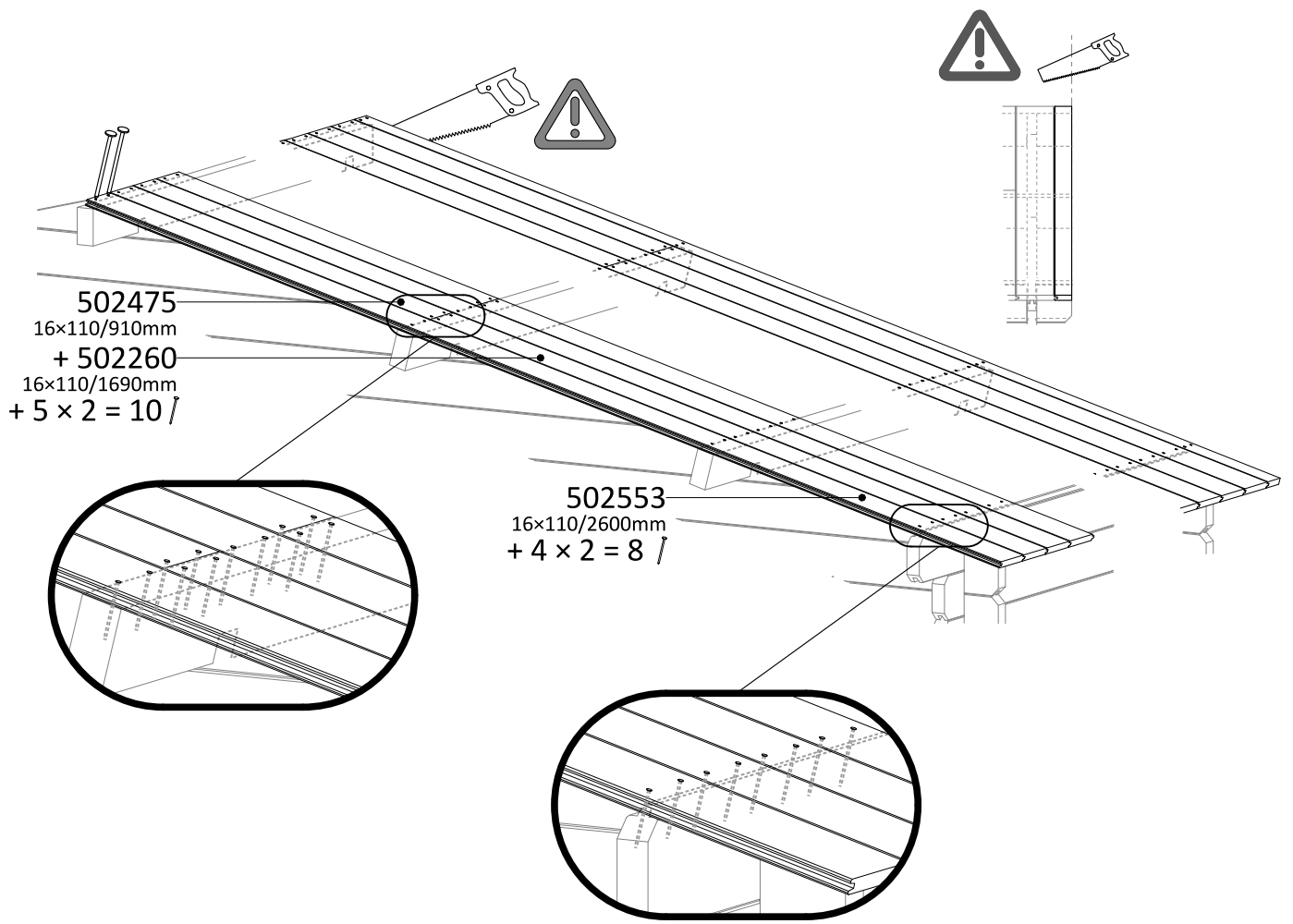
x2



13

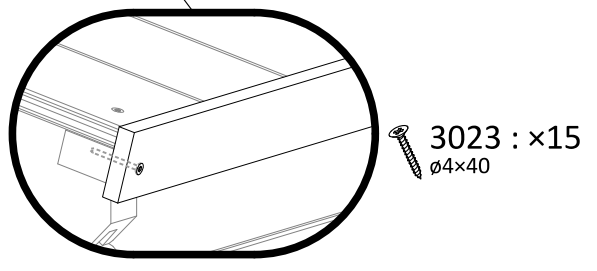
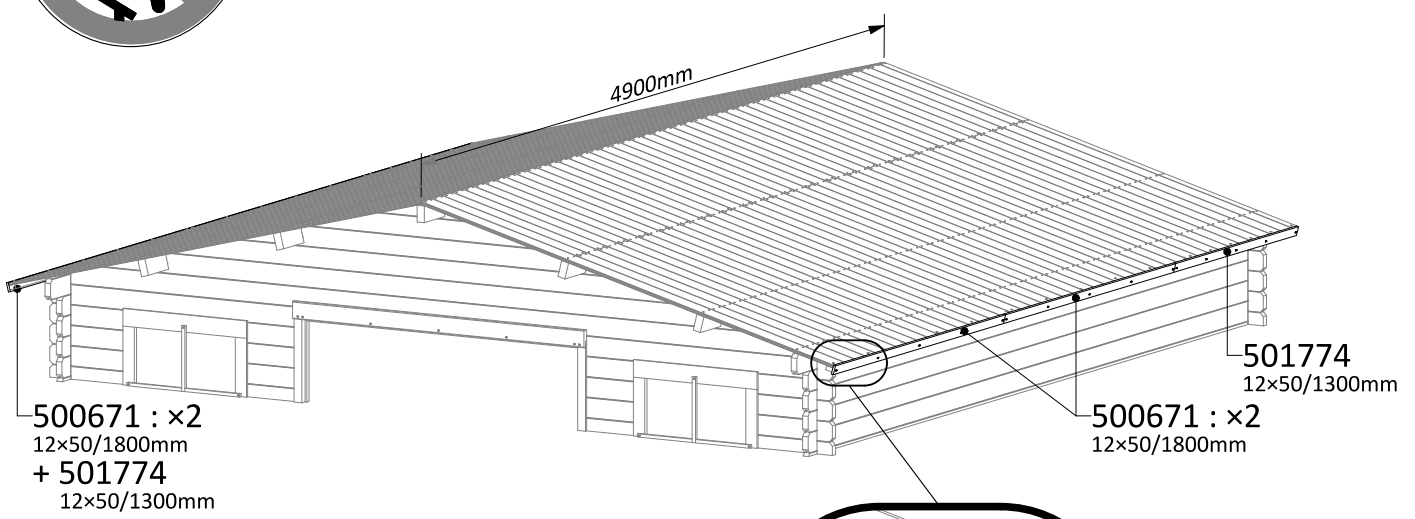
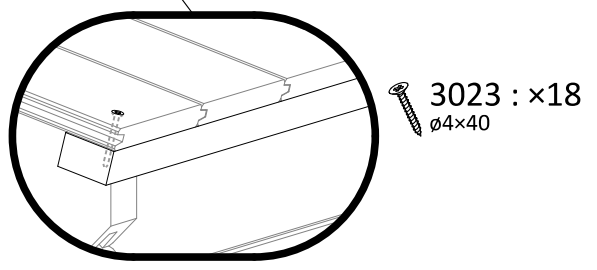
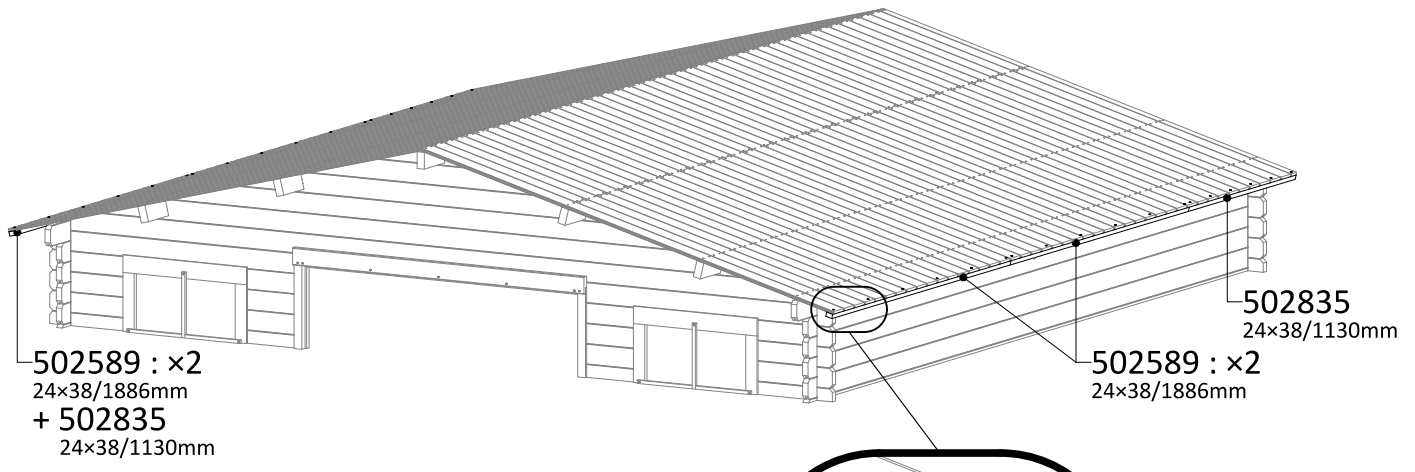


 **3540 : x808**
60mm

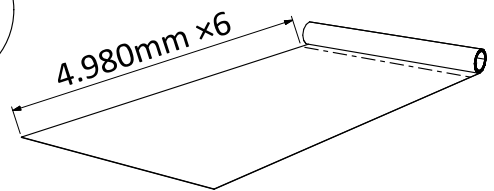


14

x2



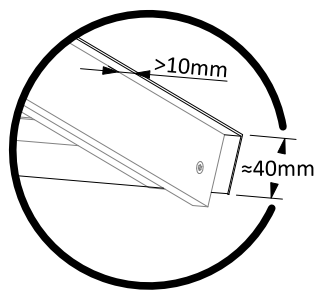
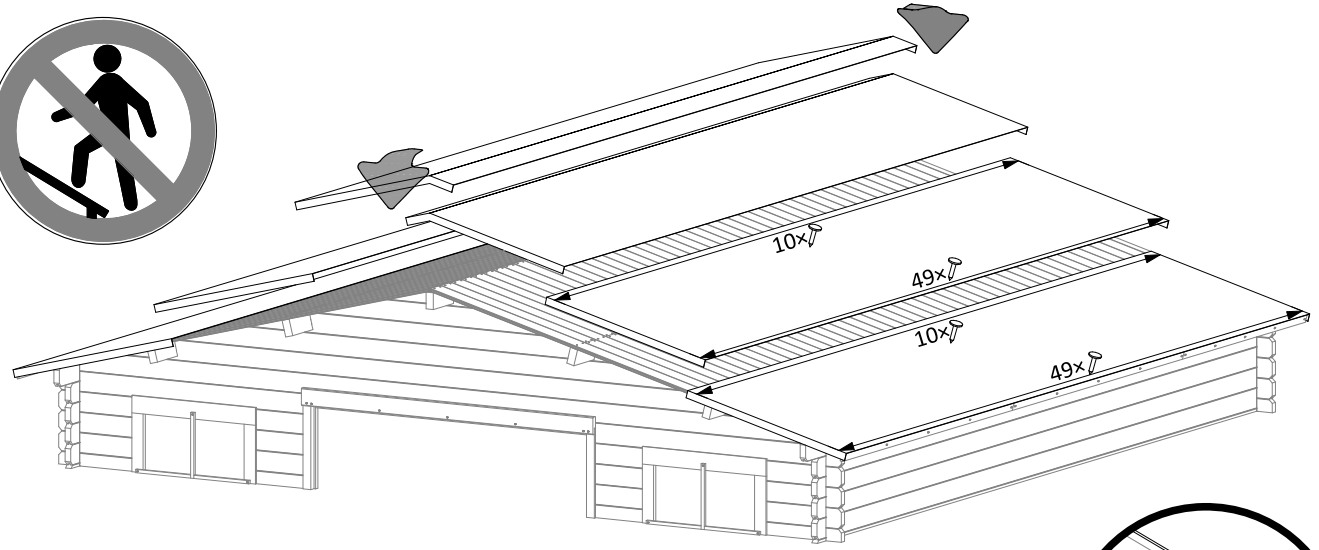
15



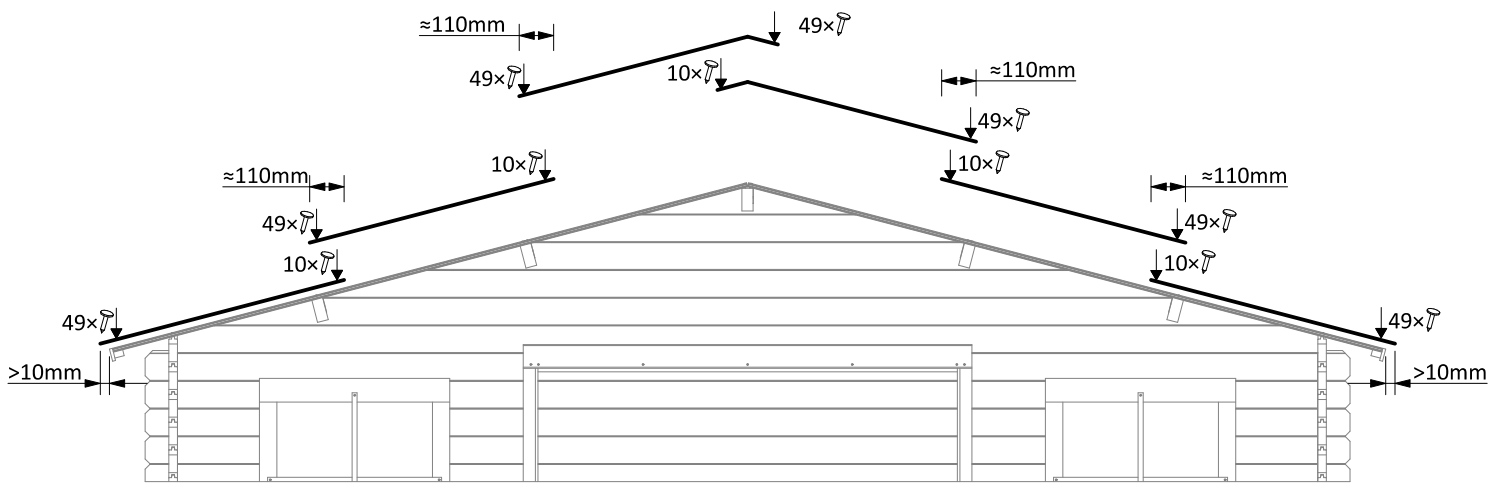
800053 : 3x 10m



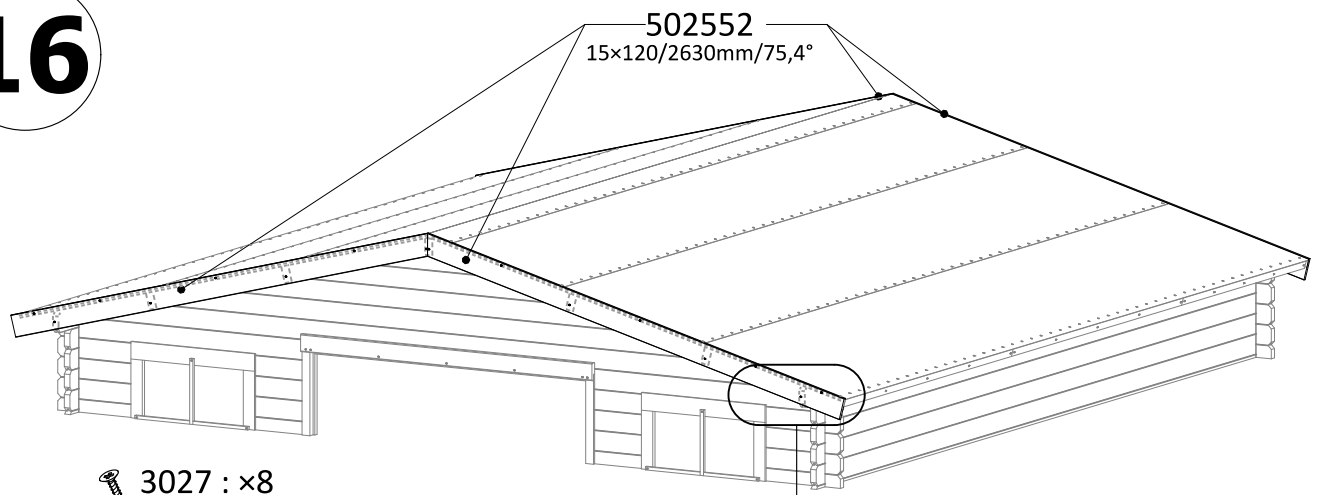
[EN] not included
[FR] non incluse
[NL] niet inbegrepen
[DE] nicht einbegriffen
[IT] non incluso
[ES] non incluida
[PT] não incluído
[GR] Δεν περιλαμβάνονται




3810 : x393
15mm

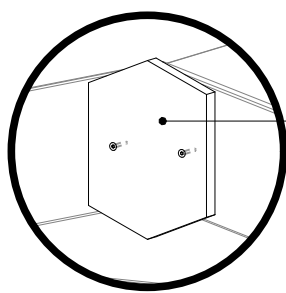
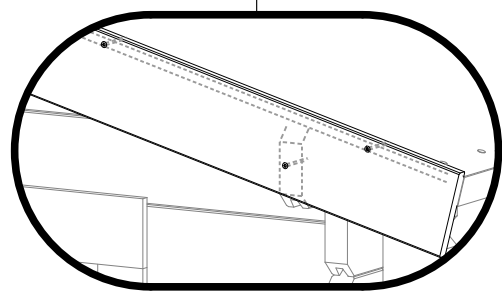



16



 3027 : x8
ø4x60

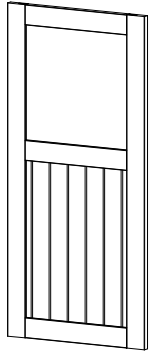
x4



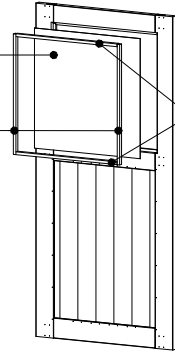
490024 +  3012 : x2
120x160/15mm ø3,5x25

17

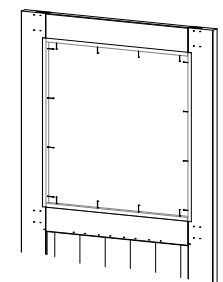
429115 ←
837×1790mm
429116 →
837×1790mm



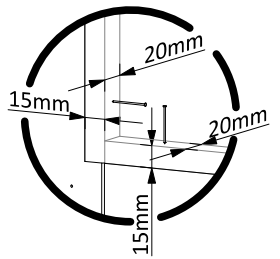
750007
645×645/1,5mm
50958 : ×2
15×20/647mm



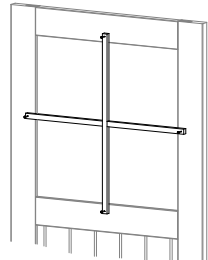
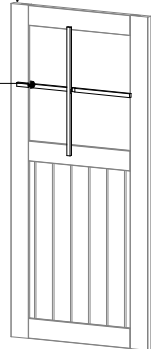
502674
15×20/617mm
×2



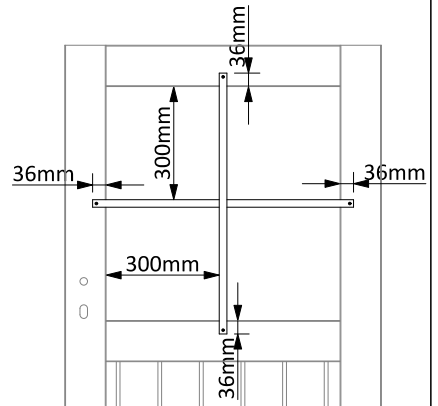
3505 : ×16
25mm



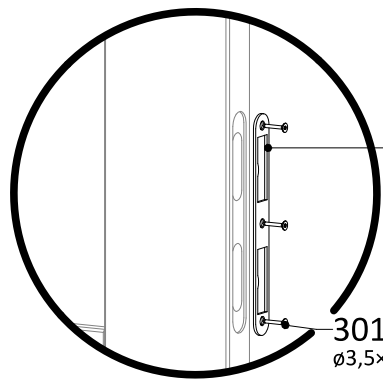
500419
15×20/690mm
×2



3012 : ×4
ø3,5×25



×2

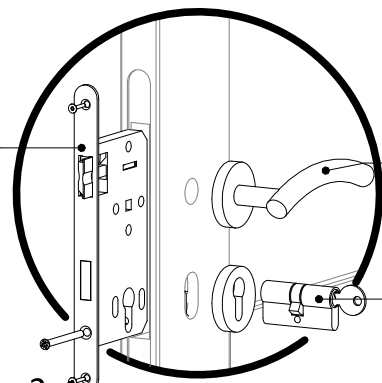


429115 ←
837×1790mm

2115

3011 : ×3
ø3,5×20mm

3011 : ×2
ø3,5×20mm



429116 →
837×1790mm

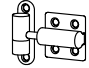
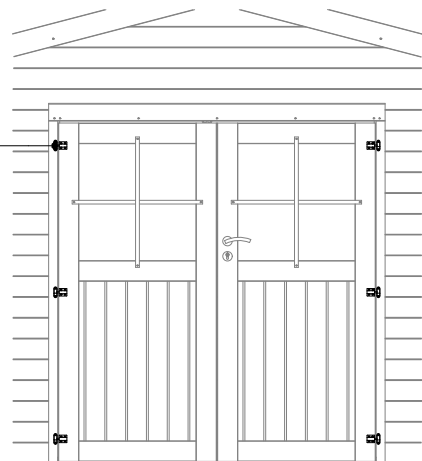
2456

2150

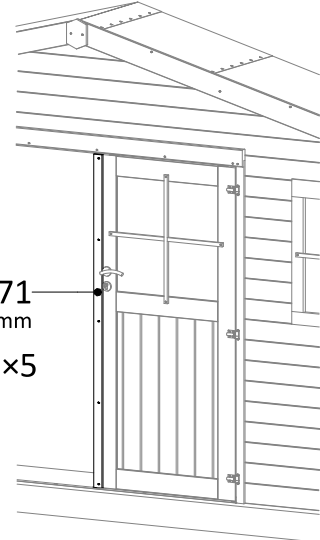
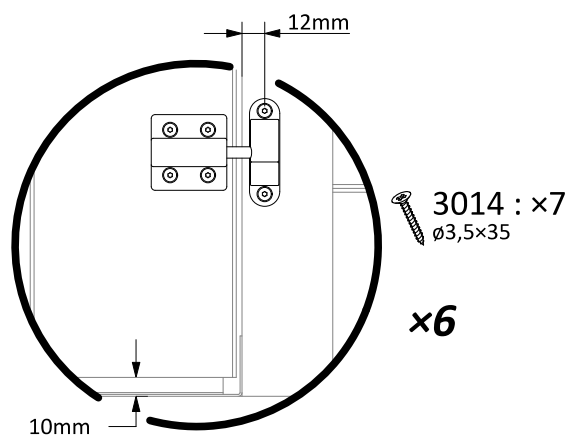
Mastic /Silicone
(not included)
(non inclus)
(niet inbegrepen)
(nicht einbegriffen)
(non incluso)
(non incluida)
(non incluido)

18

2081 : x6

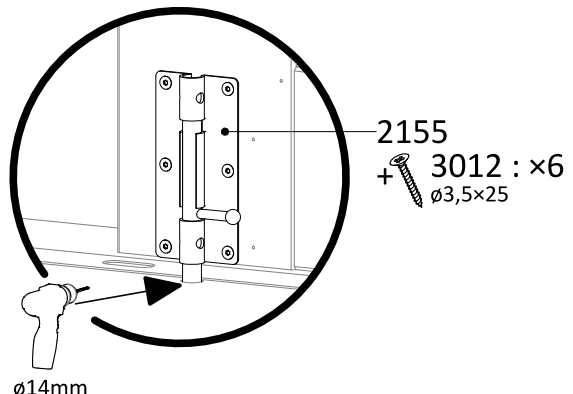
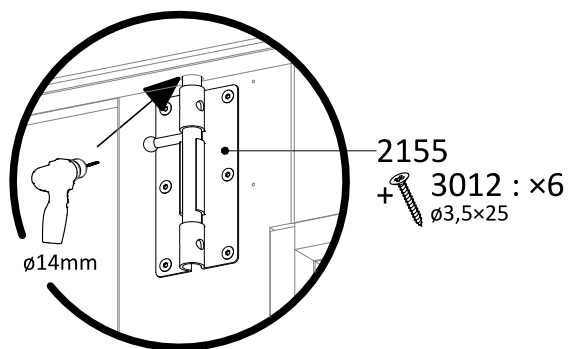
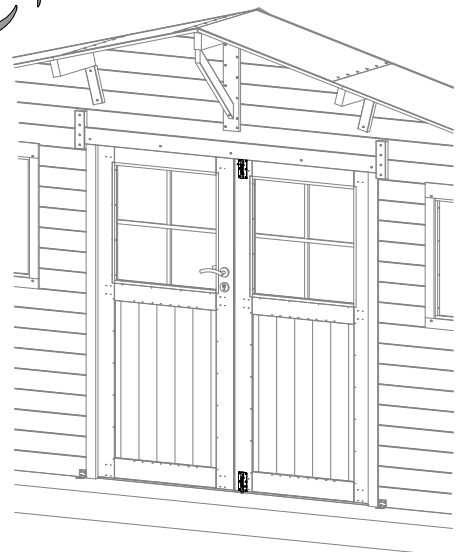



429115 ← 429116 →
837x1790mm 837x1790mm



502171
12x50/1790mm

3012 : x5
ø3,5x25



- (EN) **Unique warranty number, must be send for any request.**
- (FR) **Numéro de garantie unique, à transmettre obligatoirement pour toute demande.**
- (NL) **Uniek garantienummer, dat voor alle aanvragen moet worden verstrekt.**
- (DE) **Eindeutige Garantienummer, muss bei jeder Anfrage gesendet werden.**
- (IT) **Numero di garanzia unico, da trasmettere obbligatorio per ogni richiesta.**
- (ES) **Numero único de garantía, se transmitirá obligatoriamente para todas las solicitudes.**
- (PT) **Número de garantia único, será transmitido obrigatoriamente para todas as solicitações.**

